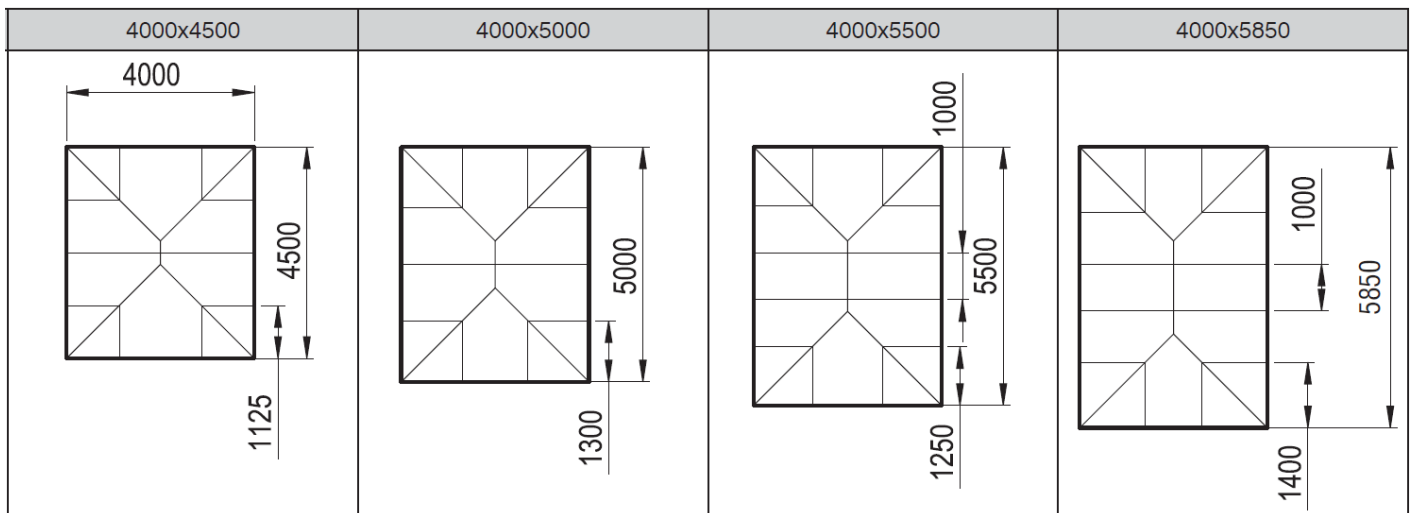
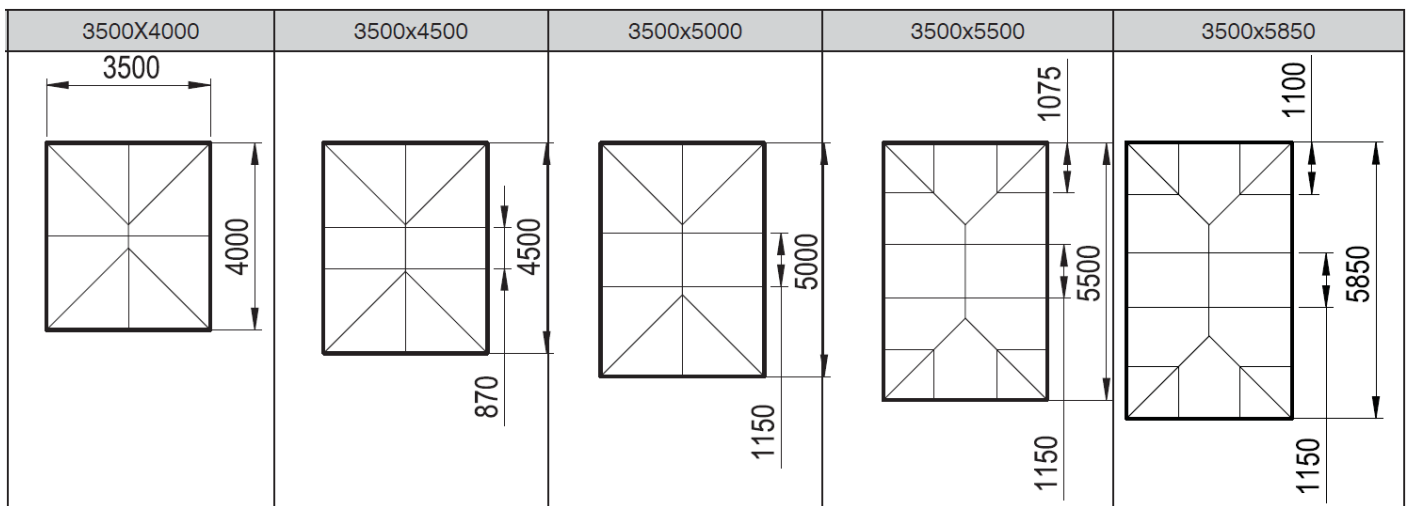
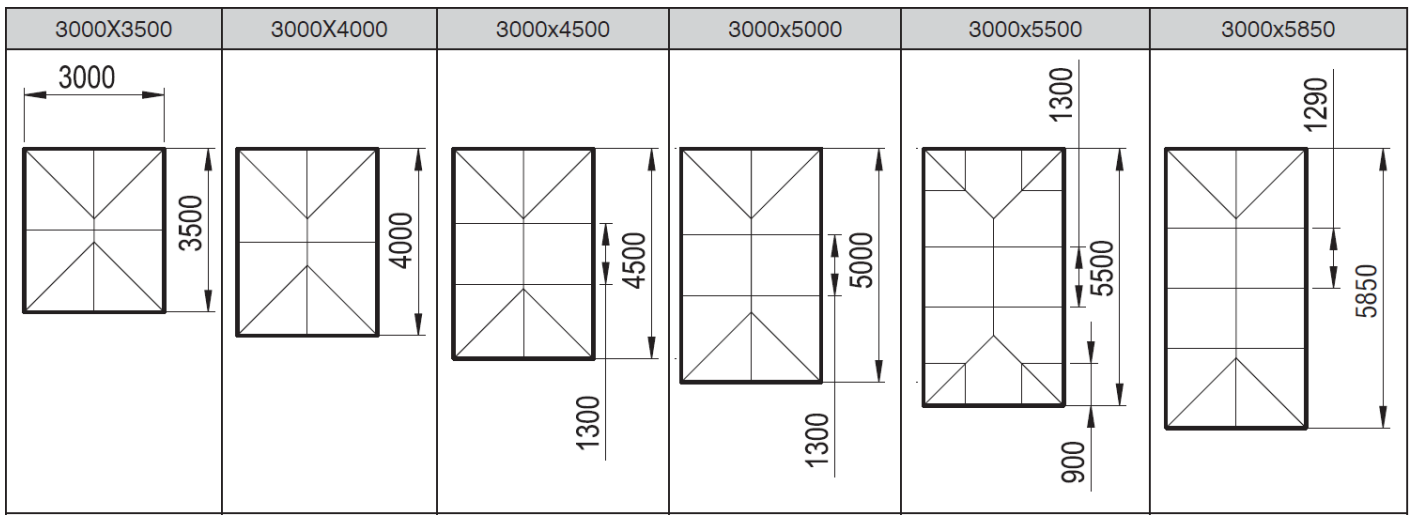


1000X1500	1000X2000	1000X2500	1000X3000	1000X3500	1000X4000	1000x4500	1000x5000	1000x5500	1000x5850

1500X2000	1500X2500	1500X3000	1500X3500	1500X4000	1500x4500	1500x5000	1500x5500	1500x5850

2000X2500	2000X3000	2000X3500	2000X4000	2000x4500	2000x5000	2000x5500	2000x5850

2500X3000	2500X3500	2500X4000	2500x4500	2500x5000	2500x5500	2500x5850



**Ultrasky Vent Rules**

*Minimum roof length to accept a vent = Roof Width + Vent Width (min 500mm) + 156mm*

*Minimum Roof width to accept a Vent ≥1355mm*

Vent Sizes	Height	Length	Drop	Overhang	
Max	500	1000			Length variable between Min/Max sizes
Min	500	500	175	175	

Vent Sizes	Min Width	Min Length	Calculation
500	≥1355mm	2011	1355 (min) + 500 + 156 = 2011mm
750	≥1355mm	2261	1355 (min) + 750 + 156 = 2261mm
1000	≥1355mm	2511	1355 (min) + 1000 + 156 = 2511mm